



DC-SC(Y) CONNECTORS & TERMINALS

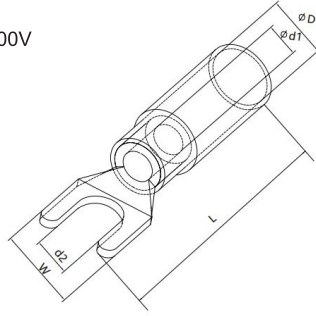
Heat shrink half insulated fork terminals

Applications

Heat Shrinkable terminals provide a permanent environmental seal. The polymer used in the production of the heat shrink tube is specially adapted to be sealed. Ideal for electrical equipment repairs, maintenance and outdoor electrical cabling.

Features

1. Maximum Electric Rating: 150 °C 600V
2. Maximum Electric Current:
22-16 AWG/0.5-1.5mm²: 19A;
16-14AWG/1.5-2.5 mm²: 27A;
12-10AWG/4-6mm²: 48A
3. Terminal Body: Brass
4. Insulation: Heat Shrink Tube
5. Plating: Tin



Dimensions

Wire Range mm ² /Awg	Tab Size mm	d2	d1	W	Tube length	D	L	Color
0.5~1.5mm ² 22-16AWG	#4	3.2	1.7	5.7	23	4.8	33	Red
	#6	3.7		5.7			33	
	#8	4.3		6.4			33	
	#10	5.3		8.1			33	
	1/4	6.4		12			35	
1.5~2.5mm ² 16-14AWG	#4	3.2	2.3	5.7	23	5.8	33	Blue
	#6	3.7		5.7			33	
	#8	4.3		6.4			33	
	#10	5.3		8.1			33	
	1/4	6.4		12			35	
4~6mm ² 12-10AWG	#6	3.7	3.4	8.3	23	6.8	35	Yellow
	#8	4.3		8.3			35	
	#10	5.3		9			35	
	1/4	6.4		12			39	

